

# BEACON S8

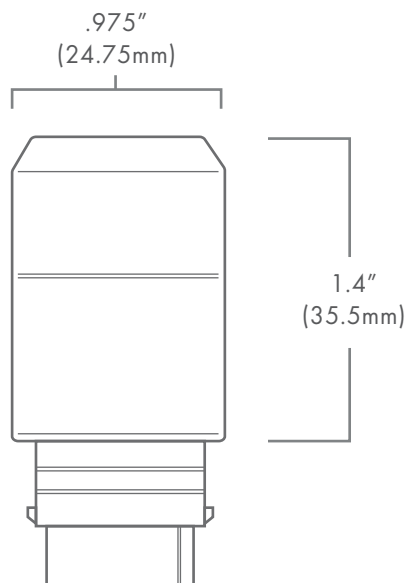
## DESCRIPTION

The Brilliance LED Beacon S8 is a subcompact LED that utilizes the Epistar chipset and features Brilliance LED's multi-directional beam pattern. This S8 is energy efficient and water resistant, designed specifically for landscape retrofit application, and ideal for pathway lighting fixtures and step lights.

## FEATURES

- Ceramic technology
- Dimmable with most magnetic transformers

Wattage	<b>2</b>
Lumens	<b>200</b>
Beam Spread	<b>Omni-directional</b>
Kelvin Temperature	<b>2700, 3000, 5700</b>
Operating Range	<b>8-25 VAC</b>
Replaces	<b>20W Halogen</b>
CRI	<b>84</b>
IP	<b>65</b>
Chipset	<b>Epistar</b>
Lamp Life (hours)	<b>35,000</b>
Warranty (years)	<b>5</b>



Part Number: **BRI-BEACON-S8-XXXX**

|  
Kelvin

