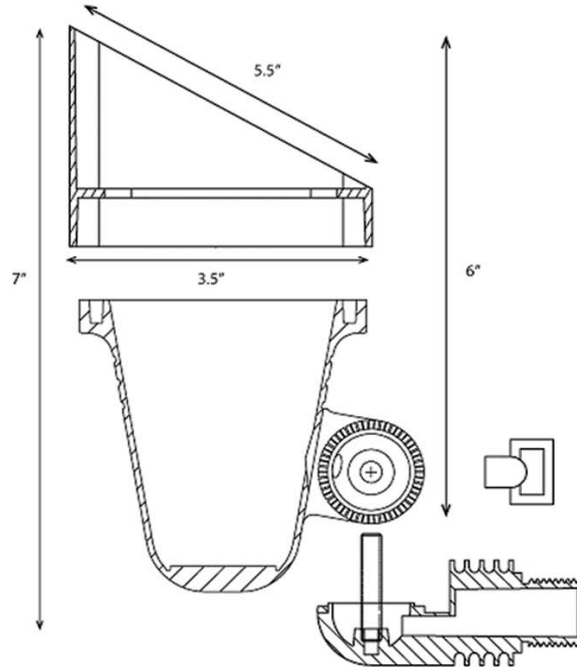


LV76L

COLUMBUS



FINISHES



TREE MOUNT OPTIONAL



6", 12", 18", 24"
EXTENSIONS



PVC SPIKE
GROUND STAKE



BULB	BI-PIN	CONSTRUCTION	DIE CAST BRASS
MAX WATTAGE	10W	IP CODE	65
POWER	12V TRANSFORMER	WEIGHT	5.51 LBS
BULK BOX QUANTITY	5	BULK BOX WEIGHT	27.56 LBS
HEIGHT	7"	WIRING	18" OF #18-2, SPT-1W LEADS
DEPTH	6"	WARRANTY	LIFETIME
WIDTH	5.5"	MOUNTING	PVC STAKE