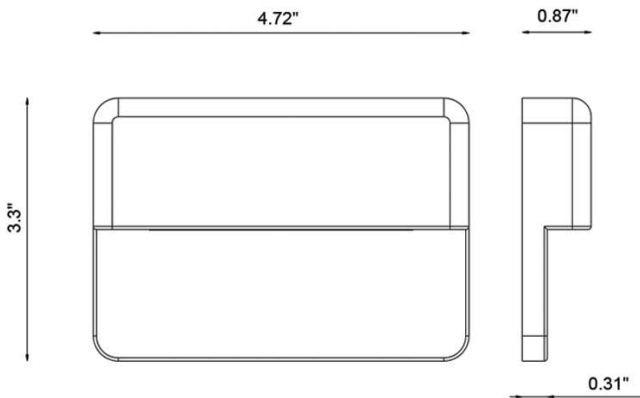


# LV81AB-LED

# DORADO



## FINISHES

AB

ANTIQUÉ BRONZE

BUILT-IN LED



LIGHT SOURCE	CREE XTE	CONSTRUCTION	DIE CAST BRASS
COLOR TEMPERATURE	2700K	WIRING	18" OF #18-2, SPT-1W LEADS
LUMEN	250LM	IP CODE	65
CRI	>80	LIFESPAN	40,000 HOURS
EFFICIENCY	83LM/W	MOUNTING	HOLDER INCLUDED
POWER WATTAGE	3W	POWER	12V TRANSFORMER
INPUT VOLTAGE	AC 11-18V	WEIGHT	1.24LBS
POWER FACTOR <PE>	0.7	BULK BOX QUANTITY	20
BEAM SPREAD	120°	BULK BOX WEIGHT	24.8 LBS