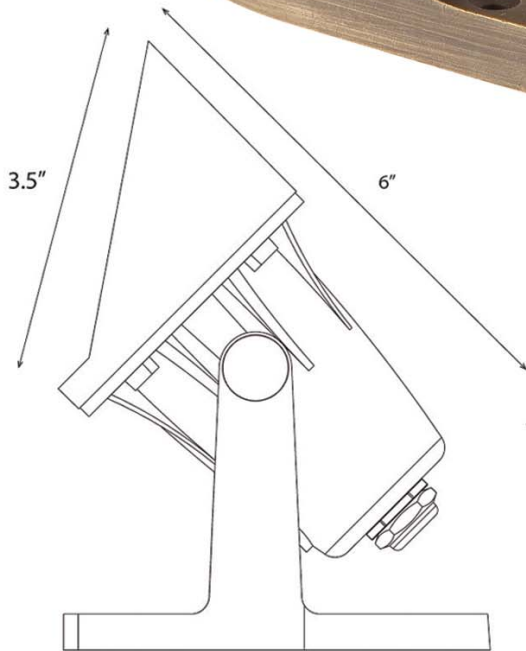


# ERIE

# LV83



## FINISHES

AB



ANTIQUE BRONZE

BULB	MR16	CONSTRUCTION	DIE CAST BRASS
MAX WATTAGE	50W	IP CODE	67
POWER	12V TRANSFORMER	WEIGHT	3.5 LBS
BULK BOX QUANTITY	10	BULK BOX WEIGHT	35 LBS
HEIGHT	6"	WIRING	30 FOOT CORD
DEPTH	3.375"	WARRANTY	LIFETIME
WIDTH	3.5"	MOUNTING	BRACKET