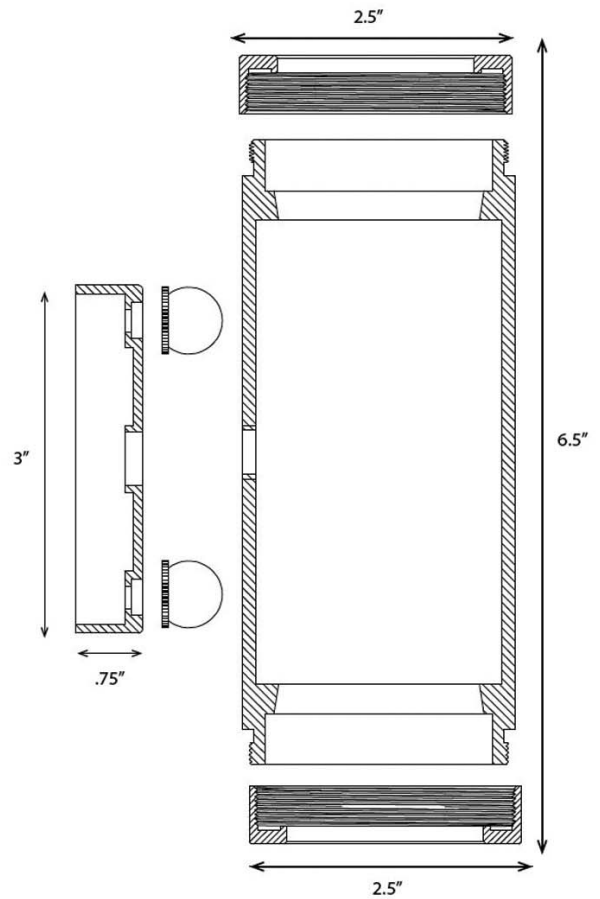


SARASOTA

LV92



FINISHES



BULB	2 X MR16	CONSTRUCTION	DIE CAST BRASS
MAX WATTAGE	50W	IP CODE	65
POWER	12V TRANSFORMER	WEIGHT	3.5 LBS
BULK BOX QUANTITY	10	BULK BOX WEIGHT	35 LBS
HEIGHT	6.5"	WIRING	18" OF #18-2, SPT-1W LEADS
DEPTH	3.5"	WARRANTY	LIFETIME
WIDTH	2.5"	FEATURES	SHINES UP AND DOWN