

# S-14 EDGE FILAMENT

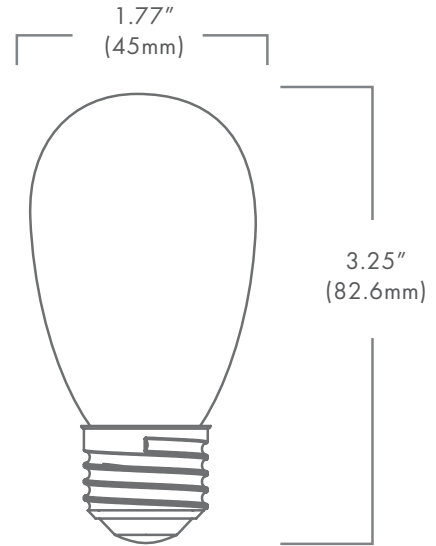
## DESCRIPTION

The S14 Edge Filament is designed specifically for use in both outdoor and indoor open fixtures where precision lighting and high color rendering is desired. This lamp is ideal for inverted bistro style lighting.

## FEATURES

- UL listed
- Clear, omni-directional light source
- Elegant, exposed filament design
- Dimmable
- UL & FCC compliant

|                    |                         |
|--------------------|-------------------------|
| Wattage            | <b>3.5</b>              |
| Lumens             | <b>245</b>              |
| Kelvin Temperature | <b>2200, 2700, 3000</b> |
| Operating Range    | <b>12 VAC</b>           |
| CRI                | <b>95</b>               |
| IP                 | <b>64</b>               |
| Lamp Life (hours)  | <b>30,000</b>           |
| Warranty (years)   | <b>3</b>                |



Part Number: **S14-FIL-EDGE-XXXX-12**

|  
Kelvin

