

S-21 EDGE FILAMENT

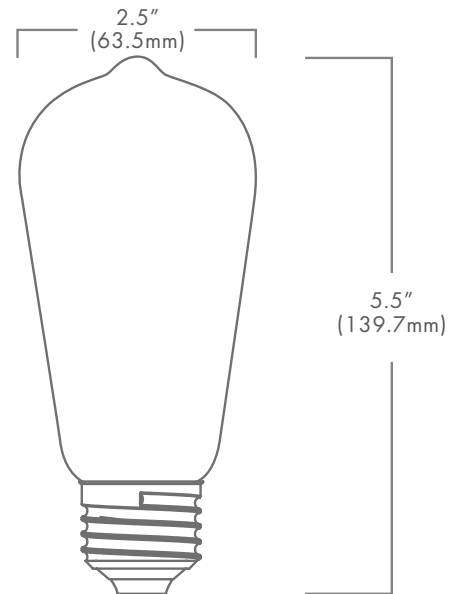
DESCRIPTION

The S-21 Edge Filament lamps are a decorative light source and give the effect of an original Edison lamp. This lamp is great for any place a warm light source is desired.

FEATURES

- Replaces 40 Watt incandescent
- UL listed in USA and Canada
- Clear, omni-directional light source
- Elegant, exposed filament design
- Dimmable
- UL & FCC compliant

Wattage	5
Lumens	380
Kelvin Temperature	2700
Operating Range	110-130 VAC
Replaces	40W Incandescent
CRI	95
IP	64
Lamp Life (hours)	30,000
Warranty (years)	3



Part Number: **S-21-FIL-EDGE-2700**

