



landscape • entertainment • architectural • hospitality • illumination

# SL-33 UNDERWATER LIGHTS



25301 COMMERCENTRE DRIVE • LAKE FOREST, CA 92630 • 949.830.1350 • 888.882.1350 • FAX 949.830.3390



# UNDERWATER LIGHTS SL-33 SERIES



TYPE

## SPECIFICATIONS

**CONSTRUCTION:** Cast brass body and cap; 316 Stainless Steel screws; Brass nickel-plated liquid tight straight bushing.

-AB models feature cast brass aiming bracket with large black thumb screws

**LENS:** High impact clear tempered flat glass

**LAMP SUPPLIED:** 20w MR16 ULTRA FL(BAB); 10,000 hours average rating (50w max)

**LAMP OPTIONS:** We recommend 50,000 hour ARROW 4w LED (-LED) or 40,000 hour 5w (-LED5) or 7w (-LED7) ARROW Super Saver LED

**SOCKET:** High temperature ceramic GU5.3 bi-pin with 250°C silicone lead wires

**WIRING:** 15 feet 18/2 SJTOW cord (available up to 50 feet)

**MOUNTING:** Surface mount aiming bracket on -AB models only

**FINISH:** Unfinished brass

Optional finishes: Black Acid Treatment (-BAT) & Brass Acid Rust (-BAR)



SL-33-AB-LED



SL-33-LED

## ORDERING INFORMATION

CATALOG NO.	DESCRIPTION	LAMP SUPPLIED	SHIP WEIGHT
-------------	-------------	---------------	-------------

SL-33-ULT	Cast Brass Underwater Light	20w Ultra FL(BAB)	3.0 lbs.
SL-33-AB-ULT	Cast Brass Underwater Light, Aim Bracket	20w Ultra FL(BAB)	5.0 lbs.
SL-33-AC-ULT	Cast Brass Underwater Light, Angle Cap	20w Ultra FL(BAB)	4.0 lbs.
SL-33-ABAC-ULT	Cast Brass Underwater Light, Aim Bracket, Angle Cap	20w Ultra FL(BAB)	5.0 lbs.

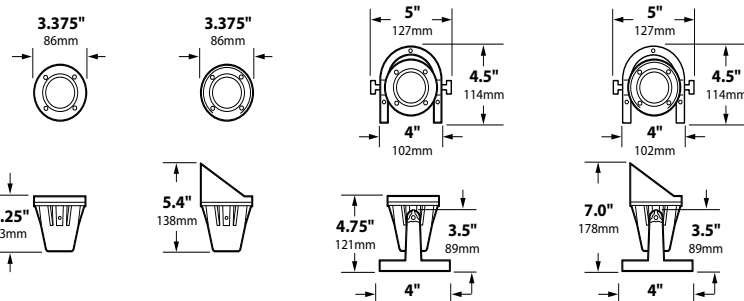
-SM Add to catalog number for side mount cord entry



SL-33-ACULT-BAT



SL-33-SMAC-LED



SL-33

SL-33-AC

SL-33-AB

SL-33-ABAC

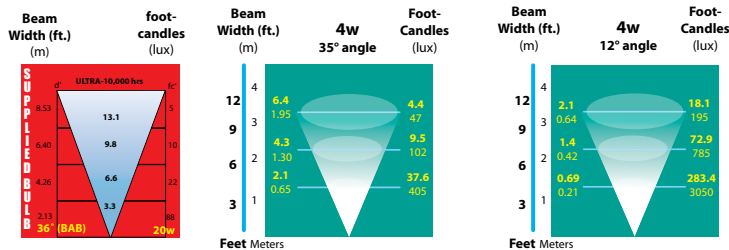


SL-33-ABACULT-BAR



SL-33-ABACLED-BAT

## LIGHT DISTRIBUTIONS AND PHOTOMETRICS



FL-ULTRA-BAB

FL-LED-MR16-BAB

FL-LED-MR16-ESX

## ACCESSORIES

FA-11-SL-33-BLUE	Blue Tempered Glass Insert Lens
FA-11-SL-33-GREEN	Green Tempered Glass Insert Lens
FA-11-SL-33-RED	Red Tempered Glass Insert Lens
FA-11-SL-33-AMBER	Amber Tempered Glass Insert Lens
FA-11-WHT	White Flashed Opal Tempered Glass Top Lens
FA-154	Brass Adjustable Aiming Bracket
FA-155-CST	Cast Brass Angle Collar

**ADDITIONAL SJTOW CORD** Sold in 5 foot lengths, not to exceed total of 50 feet. Add total number of feet to catalog number.

UL 676

IP68



### JOB INFORMATION

Type:	Date:
Job Name:	
Cat. No.:	
Lamp(s):	
Specifier:	
Contractor:	
Notes:	

FOCUS INDUSTRIES INC.  
25301 COMMERCENTRE DRIVE  
LAKE FOREST, CA 92630

www.focusindustries.com  
sales@focusindustries.com  
(949) 830-1350 • FAX (949) 830-3390