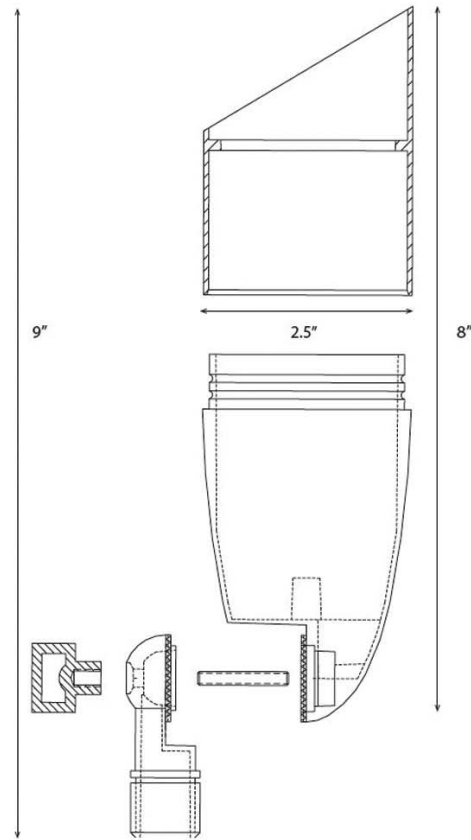


# ESCONDIDO

# LV11



## FINISHES



TREE MOUNT OPTIONAL



6", 12", 18", 24"  
EXTENSIONS



PVC SPIKE  
GROUND STAKE



BULB	MR16
MAX WATTAGE	50W
POWER	12V TRANSFORMER
BULK BOX QUANTITY	5
HEIGHT	9"
DEPTH	8"
WIDTH	2.5"

CONSTRUCTION	DIE CAST BRASS
IP CODE	65
WEIGHT	2 LBS
BULK BOX WEIGHT	10.14 LBS
WIRING	18" OF #18-2, SPT-1W LEADS
WARRANTY	LIFETIME
MOUNTING	PVC STAKE