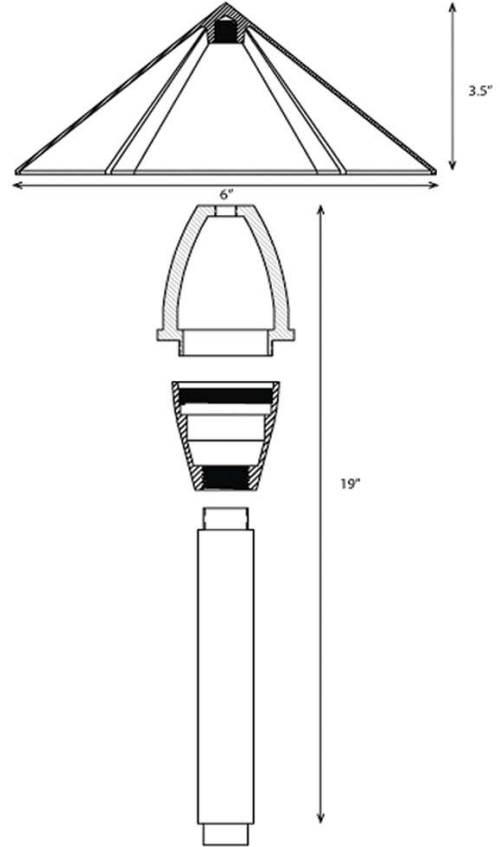


LV29



DANA POINT



FINISHES



TREE MOUNT OPTIONAL



6", 12", 18", 24"
EXTENSIONS



PVC SPIKE
GROUND STAKE



BULB
MAX WATTAGE
POWER
BULK BOX QUANTITY
HEIGHT
DEPTH
WIDTH

BI-PIN
10W
12V TRANSFORMER
6
19"
6"
6"

CONSTRUCTION
IP CODE
WEIGHT
BULK BOX WEIGHT
WIRING
WARRANTY
MOUNTING

DIE CAST BRASS
65
3.38 LBS
20.28 LBS
18" OF #18-2, SPT-1W LEADS
LIFETIME
PVC STAKE