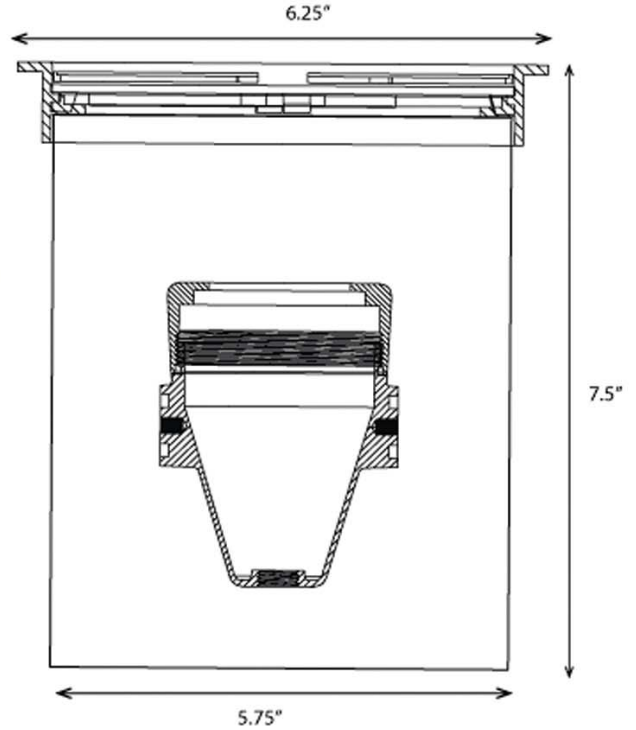
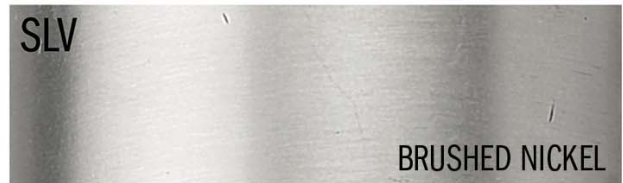


LV40

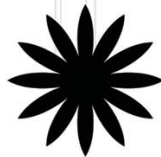
METROPOLIS



FINISHES



ADJUSTABLE LAMP BRACKET



BULB	MR16	CONSTRUCTION	DIE CAST BRASS
MAX WATTAGE	50W	IP CODE	65
POWER	12V TRANSFORMER	WEIGHT	3.5 LBS
BULK BOX QUANTITY	4	BULK BOX WEIGHT	14 LBS
HEIGHT	7.5"	WIRING	18" OF #18-2, SPT-1W LEADS
DEPTH	5.75"	WARRANTY	LIFETIME
WIDTH	5.75"	HOUSING	BLACK PVC