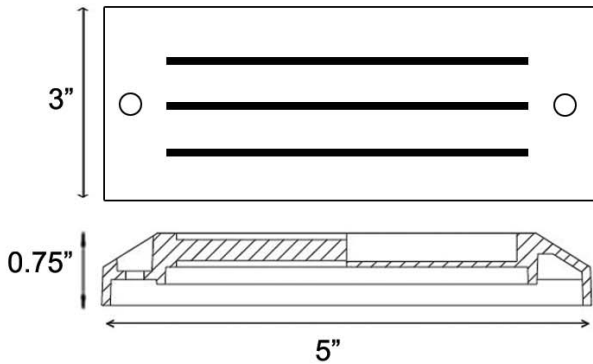


# POLLUX

# LV57S-LED



BUILT-IN LED



NO BOX NEEDED



## FINISHES

AB



ANTIQUE BRONZE

SLV



BRUSHED NICKEL

LIGHT SOURCE  
COLOR TEMPERATURE  
LUMEN  
CRI  
EFFICIENCY  
POWER WATTAGE  
INPUT VOLTAGE  
POWER FACTOR <PE>  
BEAM SPREAD

SMD5730  
2700K  
300LM  
>80  
50LM/W  
6W  
AC 11-18V  
0.7  
120°

CONSTRUCTION

DIE CAST BRASS

WIRING

18" OF #18-2, SPT-1W LEADS

IP CODE

65

LIFESPAN

40,000 HOURS

MOUNTING

HOLDER INCLUDED

POWER

12V TRANSFORMER

WEIGHT

1.23 LBS

BULK BOX QUANTITY

20

BULK BOX WEIGHT

24.7 LBS