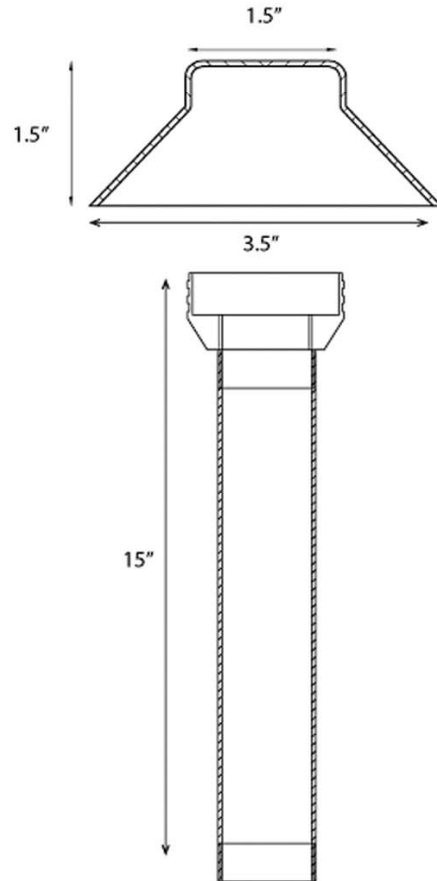
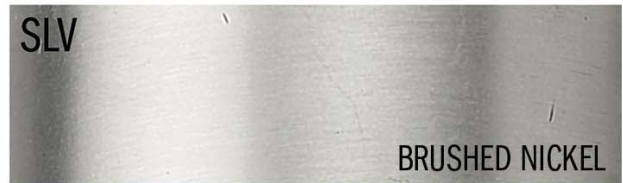


LV60

OCEANSIDE



FINISHES



TREE MOUNT OPTIONAL



6", 12", 18", 24"
EXTENSIONS



PVC SPIKE
GROUND STAKE



BULB	BI-PIN	CONSTRUCTION	DIE CAST BRASS
MAX WATTAGE	10W	IP CODE	65
POWER	12V TRANSFORMER	WEIGHT	2.5 LBS
BULK BOX QUANTITY	10	BULK BOX WEIGHT	25.5 LBS
HEIGHT	15"	WIRING	18" OF #18-2, SPT-1W LEADS
DEPTH	3.5"	WARRANTY	LIFETIME
WIDTH	3.5"	MOUNTING	PVC STAKE