



COMMERCIAL BARBECUE LIGHT BQ-CD02 COMMERCIAL SERIES

TYPE



SPECIFICATIONS

- CONSTRUCTION:** 316 stainless steel housing
- ARM:** 24" tall 316 stainless steel ridged stem and 335Ø x 90Ø rotating swivel
- MOUNT:** 316 stainless steel deck mount canopy
- FINISH:** Stainless Steel – Brushed
- LENS:** High impact clear tempered flat glass
- O-RING:** High temperature red silicone, 70 durometer
- SWITCH:** On/Off push button with weatherproof rubber boot cover

12v ELECTRICAL SPECIFICATIONS:

- LED SUPPLIED:** 7w MR16 GU5.3 Super Saver (L-48)
40,000 hours average rating
- SOCKET:** High temperature ceramic GU5.3 bi-pin,
250°C silicone insulated lead wires
- WIRING:** Black 10 foot 18/2 zip cord from base of fixture (12v only)
For 25 foot 16/2 wire add-25F to catalog number

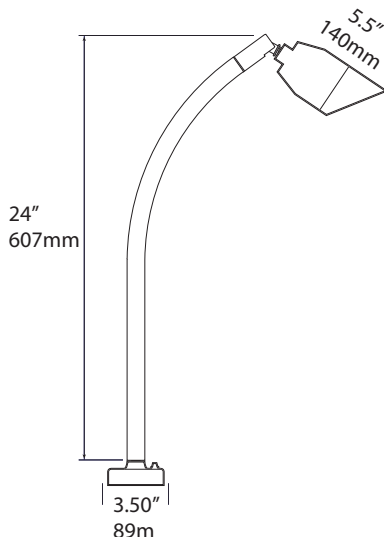
120v ELECTRICAL SPECIFICATIONS:

- LED SUPPLIED:** 7w ARROW PAR16 (L-134)
40,000 hours average rating
- SOCKET:** High temperature ceramic Base (E26/27) medium base,
250°C silicone insulated lead wires
- WIRING:** Standard Three Wire 16" lead wires from base of fixture



ORDERING INFORMATION

CATALOG NO.	DESCRIPTION	LAMP	SHIP WEIGHT
12v BQCD02L48SS	Commercial Deck Mount BQ Light	7w MR16 LED SS	7.0 lbs.
120v BQCD02L134SS	Commercial Deck Mount BQ Light	7w PAR16 LED SS	7.0 lbs.



JOB INFORMATION	
Type:	Date:
Job Name:	
Cat. No.:	
Lamp(s):	
Specifier:	
Contractor:	
Notes:	
FOCUS INDUSTRIES INC. 25301 COMMERCENTRE DRIVE LAKE FOREST, CA 92630	
www.focusindustries.com sales@focusindustries.com (949) 830-1350 • FAX (949) 830-3390	