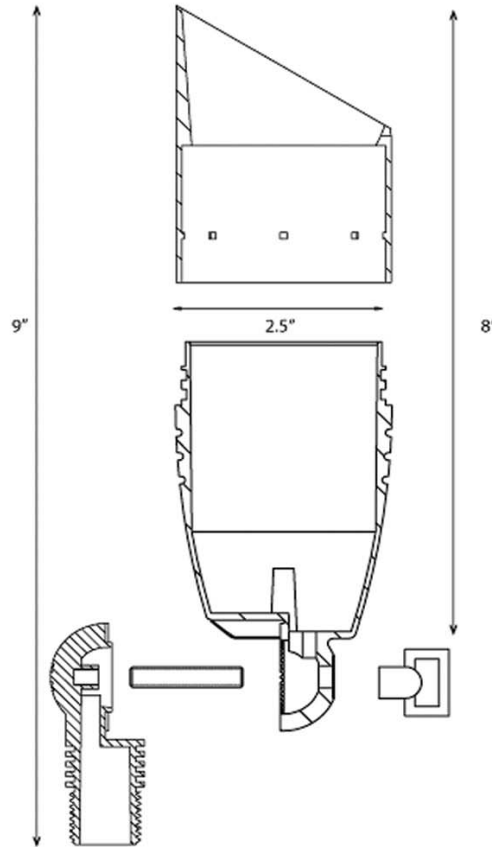


HOLLYWOOD

LV17



FINISHES



TREE MOUNT OPTIONAL



6", 12", 18", 24"
EXTENSIONS



PVC SPIKE
GROUND STAKE



BULB
MAX WATTAGE
POWER
BULK BOX QUANTITY
HEIGHT
DEPTH
WIDTH

MR16
50W
12V TRANSFORMER
5
9"
8"
2.5"

CONSTRUCTION
IP CODE
WEIGHT
BULK BOX WEIGHT
INDIVIDUAL BOX WIDTH
INDIVIDUAL BOX LENGTH
INDIVIDUAL BOX HEIGHT

DIE CAST BRASS
65
2.65 LBS
13.23 LBS
4.625"
9"
3"