



**PROFESSIONAL
OUTDOOR LIGHTING**

SPECIFICATION SHEET

Type: _____

Model: _____

Project: _____

MODEL 1090 Architectural Series • Up & Accent

FIXTURE SPECIFICATIONS:

LAMP TYPE:

R20, PAR20 - Incandescent & HID. 50W Maximum. Lamp not included with fixture, order separately. HID lamps require a ballast.

HOUSING:

Die-cast, copper-free aluminum.

SHROUD:

Die-cast, copper-free aluminum fitted to housing with a C-curved cross-section gasket- surrounding the edge of lens to provide a superior dual weather-tight seal.

FINISH:

Polyester powder-coat finish available in Black, Verde, Architectural Brick, Architectural Bronze, Light Bronze, Dark Bronze, Granite, Pewter, Terracotta, Rust, Hunter Green, Mocha, Weathered Bronze, Weathered Iron, and White.

SOCKET/LAMP HOLDER:

Top grade porcelain, medium base 4KV pulse rated socket with spring center contact & a silicone rubber jacket protector to prevent moisture/debris from entering socket.

LENS:

Clear, tempered, shock & heat resistant, soda-lime glass lens - crowned (convex) to promote water runoff. Optical effect lenses are available.

MOUNTING:

Injection-molded, glass-reinforced Zytel® HTN composite adjustable knuckle with 1/2" NPT & jam nut. Fixture may be mounted into threaded hubs in junction boxes, ground stakes, grade-mounted ballast enclosures or tree mount boxes.

FASTENERS:

All fasteners are stainless steel.

WIRING:

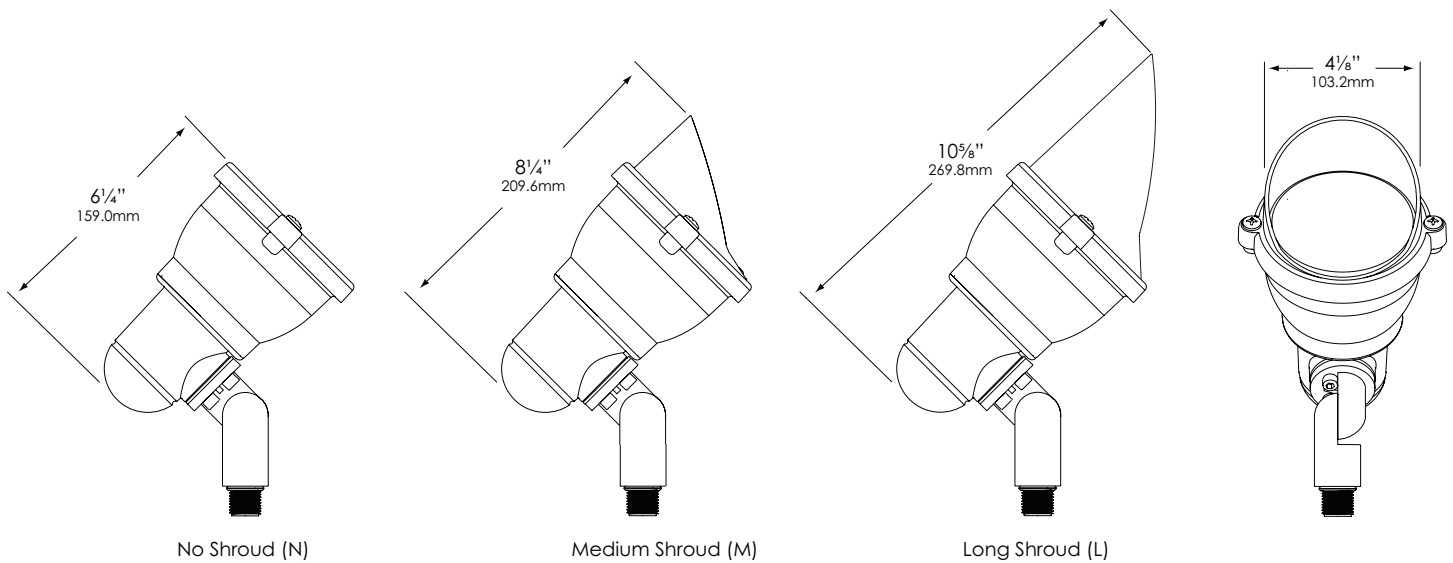
Prewired with 200°C-rated wire along with a grounded lead.

CERTIFICATION:

UL Listed to U.S. & Canadian safety standards for line voltage landscape luminaires (UL 1598). The maximum wattages allowed by Underwriters Laboratories (UL) for the U.S. & Canadian markets may vary. Maximum wattages specified are Underwriters Laboratories U.S. standard. Please contact Vista for any questions about the maximum wattages allowed by UL Canadian standards. This luminaire has an ingress protection rating of IP65 for protection against detrimental dust intrusion as well as penetration of water by water jet from all directions.

All Vista luminaires are **MADE IN THE U.S.A.**

DIMENSIONS:



NOTE: FIXTURE SHOWN WITH INFINITY KNUCKLE



Vista Professional Outdoor Lighting reserves the right to modify the design and/or construction of the fixture shown without further notification.



SPECIFICATION SHEET

MODEL 1090 Architectural Series • Up & Accent Lights

FIXTURE ORDERING INFORMATION

TO ORDER FIXTURE: Select appropriate choice from each column as in the following example.

EXAMPLE: 1090-B-CX-M-120-HL

MODEL	FINISH	LENS	SHROUD	INPUT VOLTAGE	ACCESSORIES
1090	B - Black BR - Architectural Brick Z - Architectural Bronze LZ - Light Bronze DZ - Dark Bronze GT - Granite TC - Terra-cotta R - Rust HG - Hunter Green WB - Weathered Bronze WI - Weathered Iron W - White G - Verde P - Pewter M - Mocha	CX - Crowned Clear Lens CBL - Crowned Cool Blue Lens CFR - Crowned Frosted Lens	N - No shroud M - Medium Shroud L - Long Shroud	120 277	HL-Honeycomb Louver

Lamp not included with fixture, order separately. For available lamps, see Lamp Guide, Vista Catalog.
 Note: HID lamps require a ballast.