



**PROFESSIONAL
OUTDOOR LIGHTING**

SPECIFICATION SHEET

Type: _____

Model: _____

Project: _____

MODEL 1092 Architectural Series • Up & Accent

FIXTURE SPECIFICATIONS:

LAMP TYPE:

R30, PAR30 - Incandescent & HID. 75W Maximum. Lamp not included with fixture, order separately. HID lamps require a ballast.

HOUSING:

Die-cast, copper-free aluminum.

SHROUD:

Die-cast, copper-free aluminum fitted to housing with a C-curved cross-section gasket- surrounding the edge of lens to provide a superior dual weather-tight seal.

FINISH:

Durable powder coat finish available in Black, Architectural Bronze, Dark Bronze, Granite, White, Architectural Brick, Light Bronze, Special Bronze, Glossy Gray, Rust, Hunter Green, Weathered Bronze, Weathered Iron, Graphite Metallic, Verde, Pewter, Mocha and Olde Finish. Custom Powder coat finishes available on request.

SOCKET/LAMP HOLDER:

Top grade porcelain, medium base 4KV pulse rated socket with spring center contact & a silicone rubber jacket protector prevents moisture/debris from entering socket.

LENS:

Clear, tempered, shock & heat resistant, soda-lime glass lens - crowned (convex) to promote water runoff. Optical effect lenses are available.

MOUNTING:

Injection-molded, glass-reinforced Zytel® HTN composite adjustable knuckle with 1/2" NPT & jam nut. Fixture may be mounted into threaded hubs in junction boxes, ground stakes, grade-mounted ballast enclosures or tree mount boxes.

FASTENERS:

All fasteners are stainless steel.

WIRING:

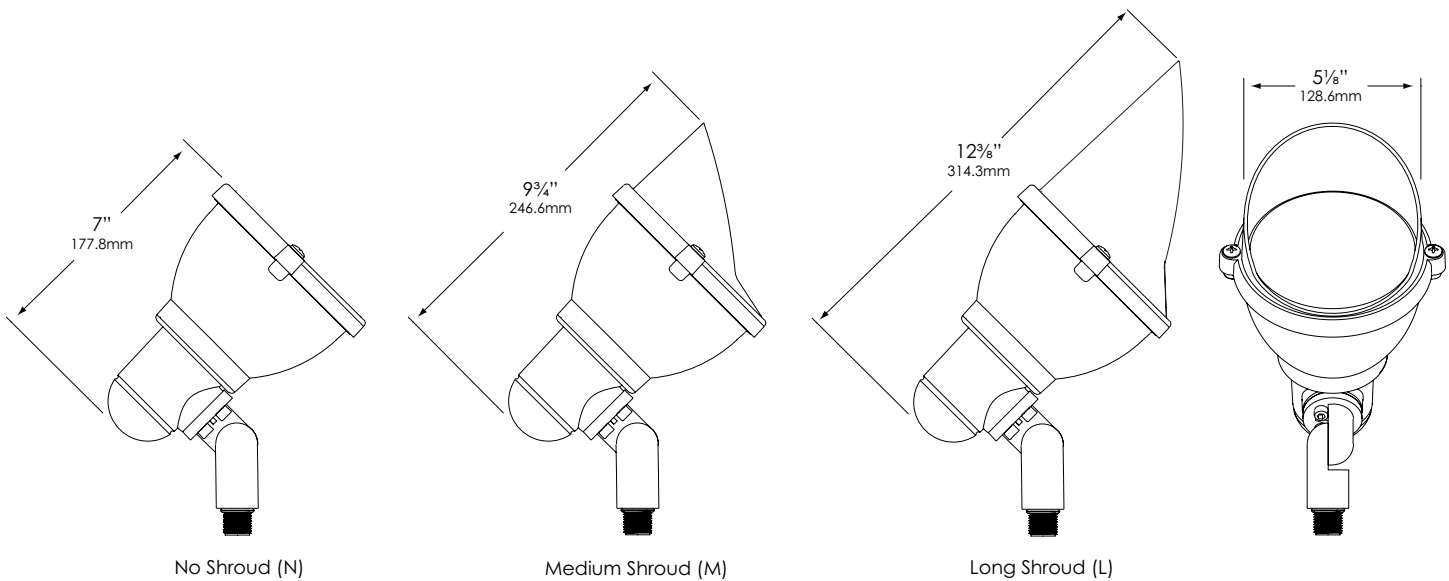
Prewired with 200°C-rated wire along with a grounded lead.

CERTIFICATION:

UL Listed to U.S. & Canadian safety standards for line voltage landscape luminaires (UL 1598). The maximum wattages allowed by Underwriters Laboratories (UL) for the U.S. & Canadian markets may vary. Maximum wattages specified are Underwriters Laboratories U.S. standard. Please contact Vista for any questions about the maximum wattages allowed by UL Canadian standards. This luminaire has an ingress protection rating of IP65 for protection against detrimental dust intrusion as well as penetration of water by water jet from all directions.

All Vista luminaires are [MADE IN THE U.S.A.](#)

DIMENSIONS:



NOTE: FIXTURE SHOWN WITH INFINITY KNUCKLE



Vista Professional Outdoor Lighting reserves the right to modify the design and/or construction of the fixture shown without further notification.



SPECIFICATION SHEET

MODEL 1092 Architectural Series • Up & Accent Lights

FIXTURE ORDERING INFORMATION

TO ORDER FIXTURE: Select appropriate choice from each column as in the following example.

EXAMPLE: 1092-B-CX-M-120-HL

MODEL	FINISH	LENS	SHROUD	INPUT VOLTAGE	ACCESSORIES
1092	Standard	CX - Crowned Clear Lens CBL - Crowned Cool Blue Lens CFR - Crowned Frosted Lens	N - No shroud M - Medium Shroud L - Long Shroud	120 277	HL - Honeycomb Louver
	B - Black				
	Z - Architectural Bronze				
	DZ - Dark Bronze				
	GT - Granite				
	W - White				
	Premium				
	BR - Architectural Brick				
	LZ - Light Bronze				
	SB - Special Bronze				
GG - Glossy Gray					
R - Rust					
HG - Hunter Green					
WB - Weathered Bronze					
WI - Weathered Iron					
GM - Graphite Metallic					
Hand Finished					
G - Verde					
P - Pewter					
M - Mocha					
OF - Olde Finish					

Lamp not included with fixture, order separately. For available lamps, see Lamp Guide, Vista Catalog.
 Note: HID lamps require a ballast.