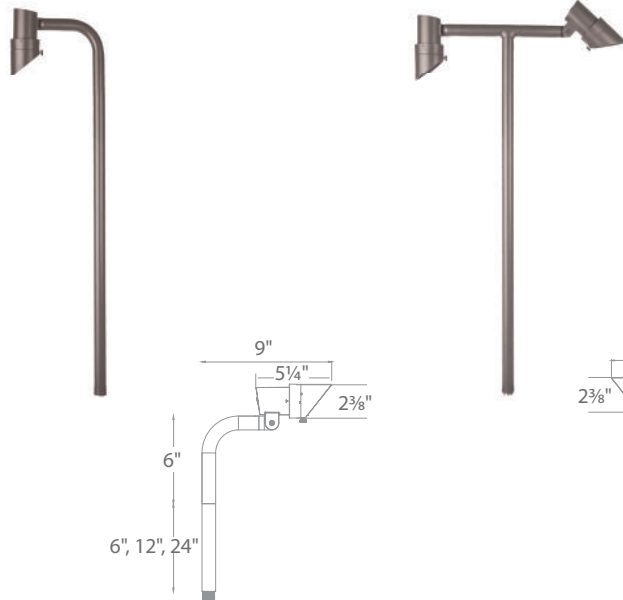


MINI ACCENT LED PATH

6111 / 6211

WAC

LANDSCAPE LIGHTING



Fixture Type:

Catalog Number:

Project: _____

Location: _____

PRODUCT DESCRIPTION

Landscape mini accent luminaire. One fixture replaces all older halogen landscape accent lights

FEATURES

- Continuously Adjustable Beam Angles. Indexed at 10°, 25°, 40°, 50°
- Continuously Adjustable brightness control. Indexed at 1W, 2W, 4W, 6W, 7W
- Adjustable beam angle
- IP66 rated, Protected against high-pressure water jets
- Includes a detachable shroud
- Solid diecast brass or corrosion resistant aluminum
- Factory sealed water tight fixtures
- Constant output for 9V-15V input
- Can be used as an uplight or downlight
- 2700K or 3000K color temperature
- Guardian detachable shroud, 6' lead wire and direct burial gel filled wire nuts included
- UL & cUL 1838 Listed

SPECIFICATIONS

6111 *Single*
Input: 9-15VAC (Transformer is required)
Power: 1W to 7W / 2VA - 10.5VA
Brightness: 45lm to 365 lm
CRI: 85
Rated Life: 70,000 hours

6211 *Double*
Input: 9-15VAC (Transformer is required)
Power: 1W to 7W / 2VA - 10.5VA x 2
Brightness: 45lm to 365 lm x 2
CRI: 85
Rated Life: 70,000 hours

ORDERING NUMBER

		Color Temp	Finish
6111	<i>Single</i>	27 2700K Warm White	BBR Bronze on Brass
6211	<i>Double</i>	30 3000K Pure White	BZ Bronze on Aluminum

6111-___BBR

Example: **6111-30BBR**

wacighting.com
 Phone (800) 526.2588
 Fax (800) 526.2585

Headquarters/Eastern Distribution Center
 44 Harbor Park Drive
 Port Washington, NY 11050

Central Distribution Center
 1600 Distribution Ct
 Lithia Springs, GA 30122

Western Distribution Center
 1750 Archibald Avenue
 Ontario, CA 91760

MINI ACCENT LED PATH

6111 / 6211

WAC

LANDSCAPE LIGHTING

Surface Mount Flange/Stake



Includes three 7 inch threaded stainless steel stabilizing pins for ground mounting or surface mounts with four screws or over a junction box

5000-SCP-BZ

Bronze on Aluminum

5" Long Shroud



Reduce glare. Ideal for downlighting application

5111-LSHR-BZ *Bronze on Aluminum*

5111-LSHR-BBR *Bronze on Brass*



Guardian Mount

*Heavy duty stainless steel spike to position fixture.
Formed from a single piece of metal*

9000-SP9-BZ

Stainless Steel

Magnetic Transformers

*Stainless Steel, 12-15V output, IP65 rated, UL 1838 listed
See transformer spec sheet for details and its accessories*

9075-TRN-SS

75W Max

9150-TRN-SS

150W Max

9300-TRN-SS

300W Max

9600-TRN-SS

600W Max



waclighting.com
Phone (800) 526.2588
Fax (800) 526.2585

Headquarters/Eastern Distribution Center
44 Harbor Park Drive
Port Washington, NY 11050

Central Distribution Center
1600 Distribution Ct
Lithia Springs, GA 30122

Western Distribution Center
1750 Archibald Avenue
Ontario, CA 91760

WAC Lighting retains the right to modify the design of our products at any time as part of the company's continuous improvement program.