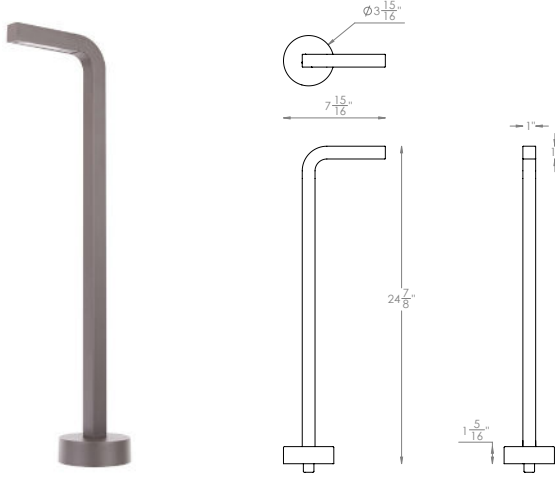


BALANCE SINGLE LED PATH LIGHT

6861



Fixture Type:

Catalog Number:

Project:

Location:

PRODUCT DESCRIPTION

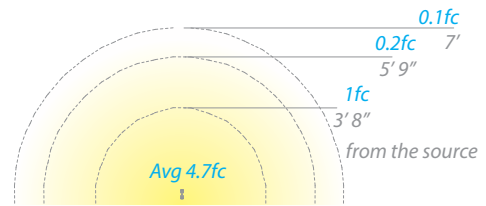
Enjoy awe-inspiring wayfinding illumination. COLORSCAPING LED Path and Area Lights guide you safely around a flower garden, pool, driveway, or through backyard woods. From subtle tones to bold vivid hues, create multi-colored lighting effects to control sightlines and make your yard feel larger at night. Magical. Bedazzling.

FEATURES

- Each fixture can be individually controlled
- Fixtures can be grouped and controlled together
- Fixtures contain discrete, warm, and a cool white LEDs for full tunability
- Fixtures can generate tens of thousands of different colors
- Automations can be stored and recalled for holiday or other celebratory lighting scenes
- Fixtures from multiple transformers can be controlled as a single group in the app
- Integrators can control the fixtures using industry standard DMX 512
- The colorscaping transformer allows for installation growth - each transformer supports one or two legacy landscape lighting circuits in addition to the color scaping fixtures
- Paint your landscaping and home using light
- Schedule your landscape lighting based on sunrise and sunset in your location
- RGBWW Color Changing Fixture: R / G / B / 2700K-6500K

SPECIFICATIONS

- Input:** 15VAC (Colorscaping Smart Transformer is required)
Power: 7W / 10VA 7W / 10VA
Brightness: White: 310
 Red: 110
 Green: 205
 Blue: 45
CRI: 85
Rated Life: 50,000 hours



ORDERING NUMBER

	Color Temp	Finish
6861 <i>Single Balance</i>	CS <i>Color Changing</i>	BZ <i>Bronze on Aluminum</i> BK <i>Black on Aluminum</i>

6861-___BZ

Example: **6861-CSBZ**

waclighting.com
 Phone (800) 526.2588
 Fax (800) 526.2585

Headquarters/Eastern Distribution Center
 44 Harbor Park Drive
 Port Washington, NY 11050

Central Distribution Center
 1600 Distribution Ct
 Lithia Springs, GA 30122

Western Distribution Center
 1750 Archibald Avenue
 Ontario, CA 91761

BALANCE SINGLE LED PATH LIGHT

6861



Surface Mount Flange/Stake



Includes three 7 inch threaded stainless steel stabilizing pins for ground mounting or surface mounts with four screws or over a junction box

5000-SCP-BZ
Bronze on Aluminum

Additional Mounting Stake



9000-ST9-BK
Durable PVC stake



Guardian Mount

*Heavy duty stainless steel spike to position fixture.
Formed from a single piece of metal.*

9000-SP9-BZ
Stainless Steel

Magnetic Transformers

*Stainless Steel, 15V output, IP65 rated, UL 1838 listed
See transformer spec sheet for details and its accessories*

8150CS-TRN-SS
150W Max

8300CS-TRN-SS
300W Max

