

AL04 AREA LIGHT SPEC SHEET

AL04

PROJECT:

TYPE:

DATE:

CATALOG NUMBER:



CATALOG ORDER LOGIC

EXAMPLE: AL04L12BLT

FIXTURE

AL Area Light

TYPE

04

12 VOLT LED	WATT	SOCKET	KELVIN	LUMEN
<input type="checkbox"/> NL (No Lamp)		Ba15s Single Contact		
<input type="checkbox"/> NLBP (No Lamp)		G4 Bi-Pin		
<input type="checkbox"/> L10	3w	G4 Bi-Pin	3000K	300lm
<input type="checkbox"/> L12	3w	Ba15s Single Contact	3000K	300lm
<input type="checkbox"/> L13	3w	G4 Bi-Pin	2700K	270lm
<input type="checkbox"/> L14	3w	G4 Bi-Pin	3000K	270lm
<input type="checkbox"/> L15	3w	Ba15s Single Contact	2700K	270lm
<input type="checkbox"/> L16	3w	Ba15s Single Contact	3000K	270lm
<input type="checkbox"/> L17	3w TF	G4 Bi-Pin	Amber	585-595nm
<input type="checkbox"/> L18	3w TF	Ba15s Single Contact	Amber	585-595nm

(TF) Turtle Friendly Light Source

120 VOLT LED	WATT	SOCKET	KELVIN	LUMEN
<input type="checkbox"/> NL120VDC		Double Contact		
<input type="checkbox"/> NL120VBP		Bi-Pin		
<input type="checkbox"/> L160	3w	Bi-Pin	3000K	400lm

Note: FA97 Sprinkler shield required for 120v. Order as accessory separately.

OPTIONS

25F 25 Foot Fixture Lead Wire

CUSTOM STEM LENGTH

12" 12.00" Standard Stem Length

Custom Length _____ (S)
(State Custom Length On the Line Above)

FINISH (standard finishes listed)

- BLT (Aluminum - Black Texture Powder Coat)
- BRT (Aluminum - Bronze Texture Powder Coat)
- BRS (Unfinished- Brass)

Premium and Acid Finishes (See page 4 for more color options)
Pantone & RAL Colors (Enter RAL or Pantone number at end of part number)

SHIP WEIGHT

Aluminum 6061 (2.0lbs)
Brass C27200 (3.0lbs)

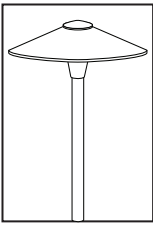
ADDITIONAL INFORMATION

LED Panel options available. See AL04LEDP Spec Sheet for More Information.
Adjustable hub available. Please note (-AH) in part number. (Example: AL04AHL12BLT)



FOCUS INDUSTRIES INC.
25301 COMMERCENTRE DRIVE
LAKE FOREST, CA. 92630
949.830.1350 | TOLL FREE: 888.882.1350
WWW.FOCUSINDUSTRIES.COM





AL04 AREA LIGHT SPEC SHEET

AL04

PROJECT: _____ TYPE: _____ DATE: _____
 CATALOG NUMBER: _____

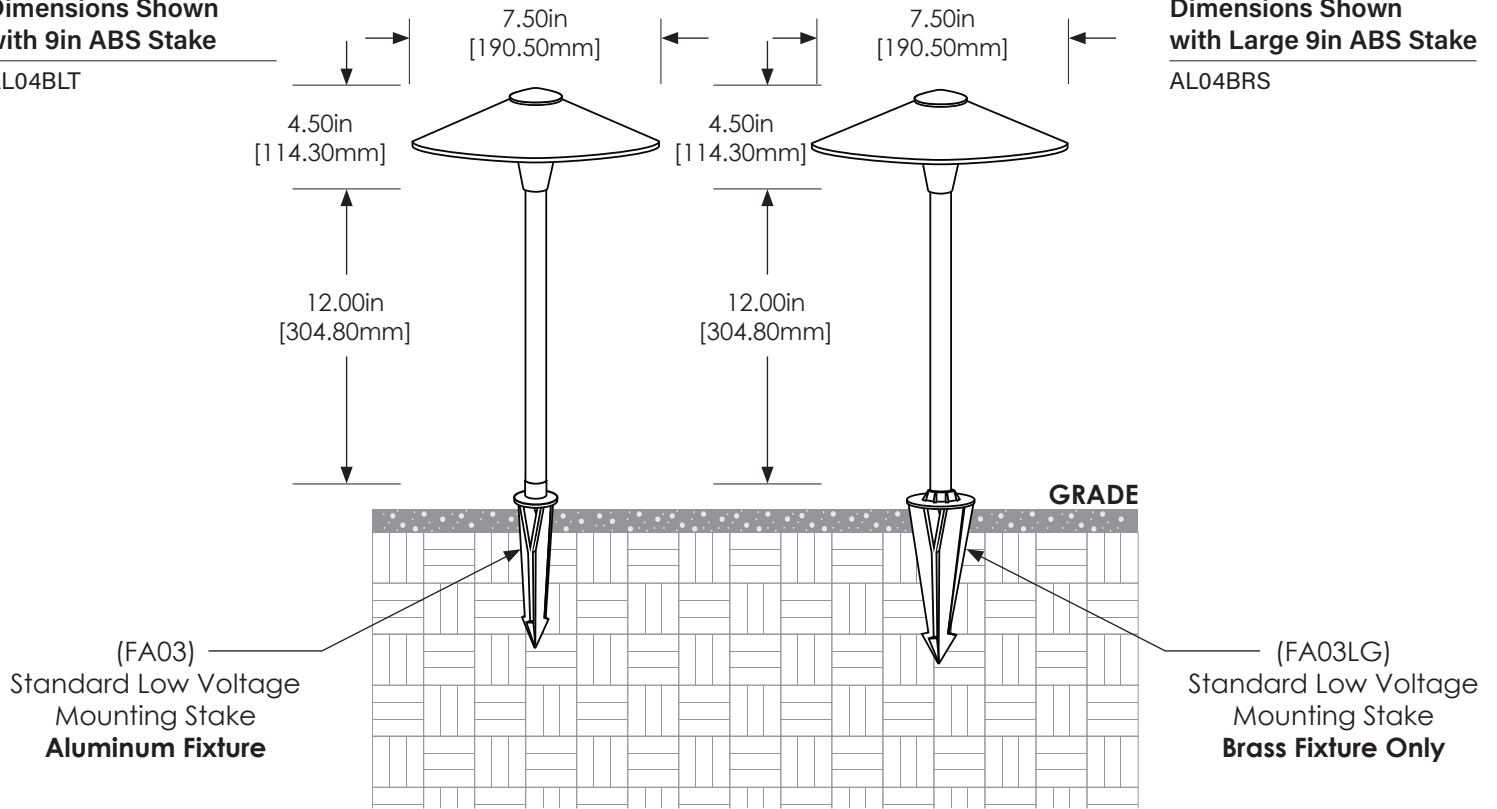
DIMENSIONS

Dimensions Shown with 9in ABS Stake

AL04BLT

Dimensions Shown with Large 9in ABS Stake

AL04BRS



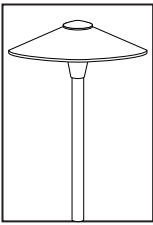
SPECIFICATIONS

INTERNALS	VOLTAGE	12V / 120V with 60w LED Transformer (Sealed junction box, supplied by others)
	WIRING	12in cut/split/strip 18/2 zip cord from fixture
	CONNECTOR	HW1260LED: 60w 120v electronic LED transformer, class 2
EXTERNALS	HAT	Die cast 6061 aluminum or C27200 brass china hat 7.50" dia.
	HUB	Die cast aluminum or brass center hub. (Adjustable hub available, add -AH to part number. Example: AL04AHL12BLT)
	STEM	Extrusion, aluminum 6061, round sch 40 pipe, .840" OD x .622" ID x 12.00" L x .109" W Extrusion, brass, C27200, round sch 40 pipe, .840" OD, .622" ID x 12.00" L x .109" W
	MOUNT	Aluminum version: FA03 ABS black stake, .50" NPS tapped. Low voltage only. (More options available. See page 3.) Brass version: FA03LG ABS large black stake, .50" NPS tapped. Low voltage only. (More options available. See page 3.)
	FINISH	Aluminum: Black or Bronze texture (Standard) See page 4 for more powder coat options. Brass: Unfinished (Standard) See page 4 for more powder coat and acid treatment options.
	LISTINGS	ETL, IP65, CE IES files available for download.



FOCUS INDUSTRIES INC.
 25301 COMMERCENTRE DRIVE
 LAKE FOREST, CA. 92630
 949.830.1350 | TOLL FREE: 888.882.1350
 WWW.FOCUSINDUSTRIES.COM





AL04 AREA LIGHT SPEC SHEET

AL04

PROJECT:	TYPE:	DATE:
CATALOG NUMBER:		

Stakes

FA03 8.75" (12v)	FA03LG 8.875" (12v)	FA03RX 7.00" (12v)	FA032P 8.235" (12v)	FA033P 8.235" (12v)

Mounting Posts

FA01 15.00" (12v)	FA24MDCSTPOST 13.00" to 16.00" (12v)	FA25 20.00" (12v)	FA26 20.00" (120-277v)

Extension Wands & Couplers

FA30-4 4.00"	FA30-8 8.00"	FA30 10.00"	FA31 13.00"	FA32 16.00"	FA33 21.00"	FA34 26.00"
(12-277v)						

Canopies

FA24/BRS 3.00" dia. (12v)	FA24MDCST/BRS 2.65" dia. (12v)	FA24MDCSTPC/BRS 2.65" dia. (12v)	FA24LGSPUN/BRS 4.75" dia. (12v)	FA24LGCST/BRS 4.75" dia. (12-277v)	FA22LGCST/BRS 5.75" (12-277v)

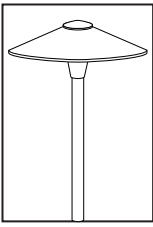
Sprinkler Shield

FA97 1.75" dia. (12v)
Note: Required for 120 Volt



FOCUS INDUSTRIES INC.
 25301 COMMERCENTRE DRIVE
 LAKE FOREST, CA. 92630
 949.830.1350 | TOLL FREE: 888.882.1350
 WWW.FOCUSINDUSTRIES.COM





AL04 AREA LIGHT SPEC SHEET

AL04

PROJECT: _____ TYPE: _____ DATE: _____

CATALOG NUMBER: _____

LED DATA



12v OMNI 3 DATA

L#	CCT	CRI	WATTS	LUMENS	RATED HOURS
L10	3000K	80	3	300	50,000
L12	3000K	80	3	300	50,000
L13	2700K	80	3	270	50,000
L14	3000K	80	3	270	50,000
L15	2700K	80	3	270	50,000
L16	3000K	80	3	270	50,000
L17	Amber	~	3	(585-595nm)	50,000
L18	Amber	~	3	(585-595nm)	50,000

120v OMNI 3 DATA

L#	CCT	CRI	WATTS	LUMENS	RATED HOURS
L160	3000K	80	3	400	50,000

FINISHES

STANDARD FINISHES



Black Texture (-BLT)



Bronze Texture (-BRT)

PREMIUM FINISHES



Dark Bronze (-DBZ)



Black Magic (-BKM)



White Gloss (-WHT)



White Texture (-WTX)



Stucco (-STU)



Chrome Powder (-CPR)



Weathered Iron (-WIR)



Weathered Brown (-WBR)



Rust (-RST)



Luna (-LUN)



Rubbed Verde (-RBV)



Hunter Texture (-HTX)

CUSTOM FINISHES Supply RAL or Pantone here

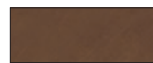
RAL #: _____

Need help finding a RAL color?
<https://www.ralcolor.com/>

PANTONE #: _____

Need help finding a Pantone color?
<https://www.pantone.com/color-finder>

ACID FINISHES Brass and Copper fixtures only



Acid Rust Copper (-CAR)
Brass (-BAR)



Black Acid Treatment (-BAT)



Acid Verde Copper (-CAV)
Brass (-BAV)



landscape • architectural • hospitality • entertainment • illumination

FOCUS INDUSTRIES INC.
25301 COMMERCENTRE DRIVE
LAKE FOREST, CA. 92630
949.830.1350 | TOLL FREE: 888.882.1350
WWW.FOCUSINDUSTRIES.COM

DESIGNED
MANUFACTURED
IN THE USA

