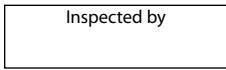


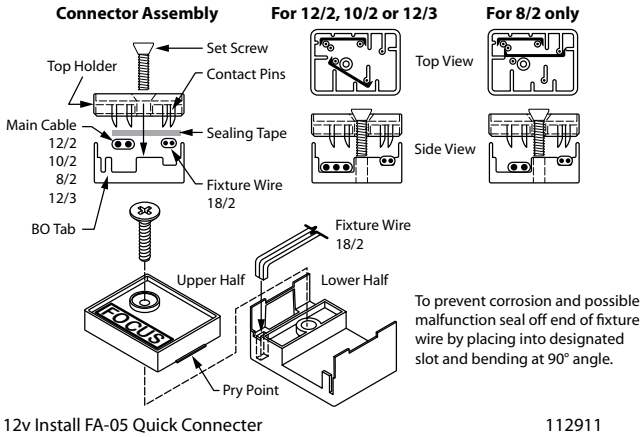


Inspected by

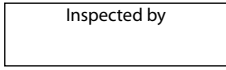


INSTALLATION INSTRUCTIONS FOR FA-05 QUICK CONNECTOR

1. Remove Set Screw from Quick Connector unit.
2. Open 2-piece connector unit: with the Quick Connector positioned with the "F" of "FOCUS" at bottom carefully pry unit apart. **CAUTION!** The Contact Pins are **very sharp**; use a flat-bladed screwdriver if necessary to separate the 2 halves.
3. Lay the Main Cable (12/2 or other) into designed space in Lower Half of box.
4. If using larger-sized 8/2 or 12/3 Cable, BO Tab must be removed.
5. Push end of Fixture Wire (18/2) into Lower Half of box and bend at 90° angle. Position in designated channel.
6. Place Sealing Tape (optional) over Contact Pins. Tear off pieces if necessary.
7. Align the Upper and Lower Halves with the Contact Pins so that the correct wire/cable combination will make contact and snap halves back together.
8. Secure assembly with Set Screw.
9. If fixture light bulb blinks intermittently remove Quick Connector and reassemble/reattach. The wire/cable may have been misaligned, not flat or not straight at time of connection.
10. Installation is now complete. Relocation or reconnection is achieved by reversing the procedure outlined above.

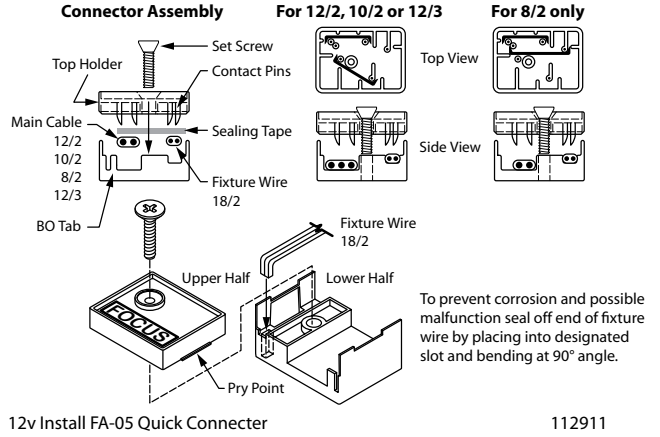


Inspected by

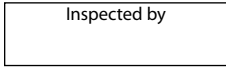


INSTALLATION INSTRUCTIONS FOR FA-05 QUICK CONNECTOR

1. Remove Set Screw from Quick Connector unit.
2. Open 2-piece connector unit: with the Quick Connector positioned with the "F" of "FOCUS" at bottom carefully pry unit apart. **CAUTION!** The Contact Pins are **very sharp**; use a flat-bladed screwdriver if necessary to separate the 2 halves.
3. Lay the Main Cable (12/2 or other) into designed space in Lower Half of box.
4. If using larger-sized 8/2 or 12/3 Cable, BO Tab must be removed.
5. Push end of Fixture Wire (18/2) into Lower Half of box and bend at 90° angle. Position in designated channel.
6. Place Sealing Tape (optional) over Contact Pins. Tear off pieces if necessary.
7. Align the Upper and Lower Halves with the Contact Pins so that the correct wire/cable combination will make contact and snap halves back together.
8. Secure assembly with Set Screw.
9. If fixture light bulb blinks intermittently remove Quick Connector and reassemble/reattach. The wire/cable may have been misaligned, not flat or not straight at time of connection.
10. Installation is now complete. Relocation or reconnection is achieved by reversing the procedure outlined above.

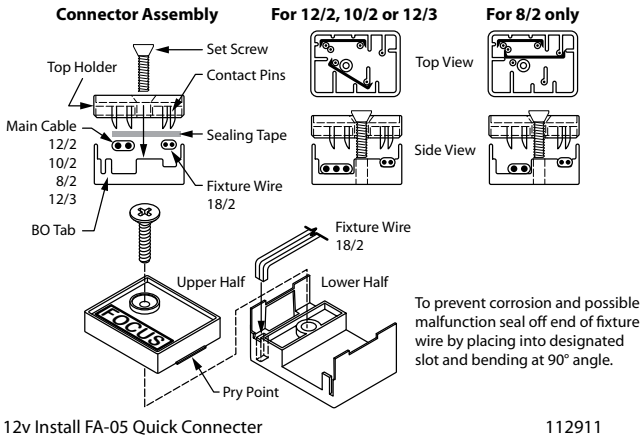


Inspected by

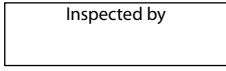


INSTALLATION INSTRUCTIONS FOR FA-05 QUICK CONNECTOR

1. Remove Set Screw from Quick Connector unit.
2. Open 2-piece connector unit: with the Quick Connector positioned with the "F" of "FOCUS" at bottom carefully pry unit apart. **CAUTION!** The Contact Pins are **very sharp**; use a flat-bladed screwdriver if necessary to separate the 2 halves.
3. Lay the Main Cable (12/2 or other) into designed space in Lower Half of box.
4. If using larger-sized 8/2 or 12/3 Cable, BO Tab must be removed.
5. Push end of Fixture Wire (18/2) into Lower Half of box and bend at 90° angle. Position in designated channel.
6. Place Sealing Tape (optional) over Contact Pins. Tear off pieces if necessary.
7. Align the Upper and Lower Halves with the Contact Pins so that the correct wire/cable combination will make contact and snap halves back together.
8. Secure assembly with Set Screw.
9. If fixture light bulb blinks intermittently remove Quick Connector and reassemble/reattach. The wire/cable may have been misaligned, not flat or not straight at time of connection.
10. Installation is now complete. Relocation or reconnection is achieved by reversing the procedure outlined above.



Inspected by



INSTALLATION INSTRUCTIONS FOR FA-05 QUICK CONNECTOR

1. Remove Set Screw from Quick Connector unit.
2. Open 2-piece connector unit: with the Quick Connector positioned with the "F" of "FOCUS" at bottom carefully pry unit apart. **CAUTION!** The Contact Pins are **very sharp**; use a flat-bladed screwdriver if necessary to separate the 2 halves.
3. Lay the Main Cable (12/2 or other) into designed space in Lower Half of box.
4. If using larger-sized 8/2 or 12/3 Cable, BO Tab must be removed.
5. Push end of Fixture Wire (18/2) into Lower Half of box and bend at 90° angle. Position in designated channel.
6. Place Sealing Tape (optional) over Contact Pins. Tear off pieces if necessary.
7. Align the Upper and Lower Halves with the Contact Pins so that the correct wire/cable combination will make contact and snap halves back together.
8. Secure assembly with Set Screw.
9. If fixture light bulb blinks intermittently remove Quick Connector and reassemble/reattach. The wire/cable may have been misaligned, not flat or not straight at time of connection.
10. Installation is now complete. Relocation or reconnection is achieved by reversing the procedure outlined above.

